

Product Brief



Key Features

- UMTS/LTE B1, B2/B25, B3, B4/B66
- TD-SCDMA B34/B39 and TD-LTE B39
- CDMA C2K BC1
- Compatible with B1+B3 carrier aggregation
- Compatible with MIPI RFFE
- Small size (5.5 × 8.2 mm²)
- Excellent linearity
- High efficiency
- Bias (quiescent current) control by MIPI RFFE
- 50-pin surface mounting package
- Internal 50Ω matching networks for both RF input and output
- Green – Lead-free and RoHS compliant

Applications

- UMTS/LTE B1
- UMTS/LTE B2, LTE B25, C2K BC1
- UMTS/LTE B3
- UMTS/LTE B4, LTE B66
- TD-SCDMA Band 34/39, TD-LTE B39

AFEM-9086-TR1

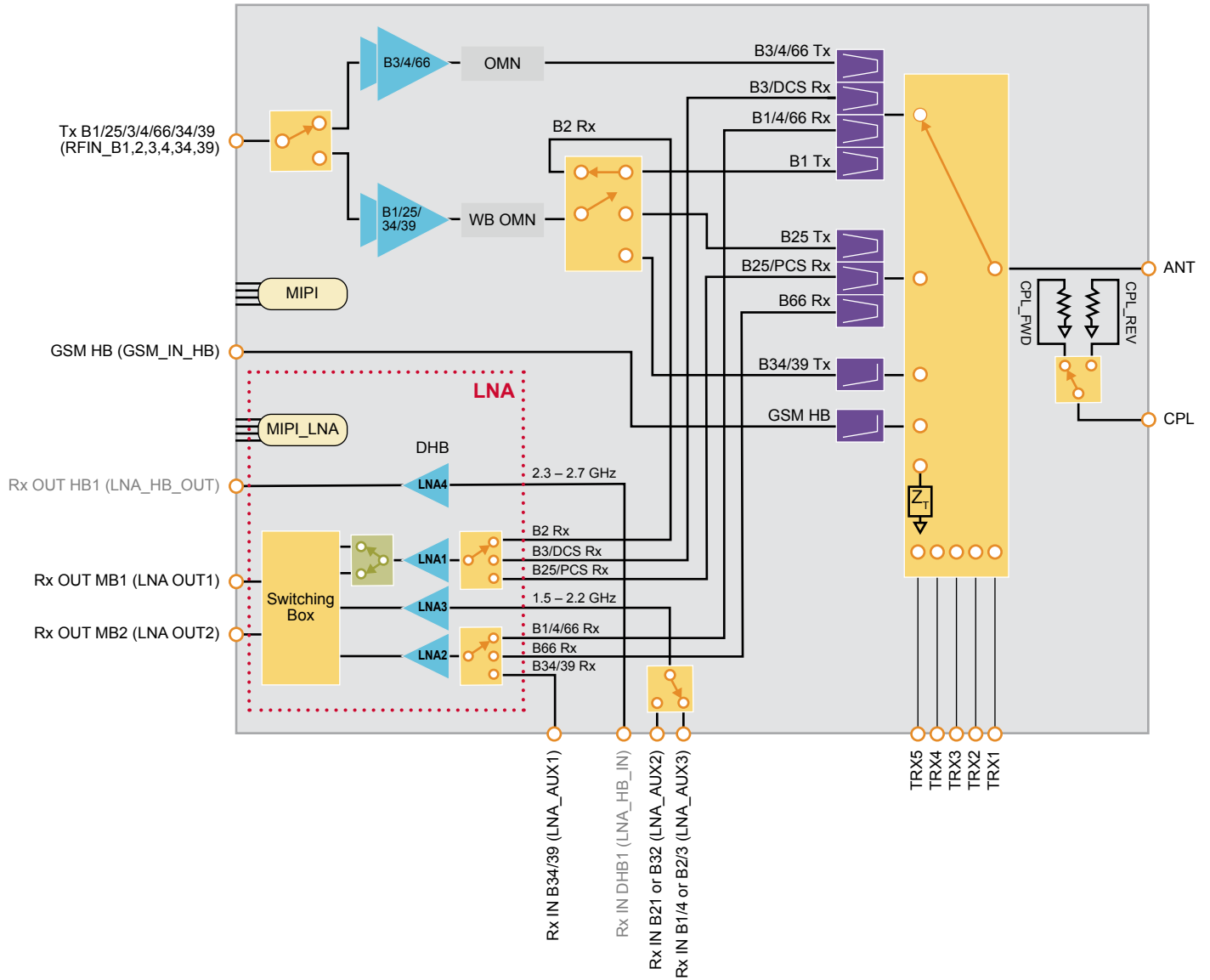
L-PAMiD UMTS/LTE B1/B2/B3/B4/B66/B34/B39, C2K BC1

Overview

The AFEM-9086 is a multiband multimode module that includes power amplifiers (PAs), duplexers, an ANT switch, a bidirectional coupler and a low-noise amplifier (LNA). This module supports UMTS/LTE bands 1, 2/25, 3, 4/66, 34 and 39, and CDMA BC1. The AFEM-9086 is designed to support envelope tracking (ET) for FDD bands and TDD bands, and the part can support carrier aggregation (CA) for B1+B3 and B25+B66.

Input and output terminals are internally matched to 50 ohms. The power amplifier is manufactured on an advanced InGaP HBT technology offering state-of-the-art reliability, temperature stability, and ruggedness. This module is housed in a cost-effective, extremely small and thin 5.5 mm × 8.2 mm package.

Figure: AFEM-9086-TR1 Block Diagram



Ordering Information

Part Number	Number of Devices	Container
AFEM-9086-TR1	1000 devices	178-mm (7-in.) Tape/Reel



For more product information: broadcom.com

Copyright © 2018 Broadcom. All Rights Reserved. Broadcom, the pulse logo, and Connecting everything are among the trademarks of Broadcom. The term "Broadcom" refers to Broadcom Inc. and/or its subsidiaries. AFEM-9086-TR1-PB100 June 25, 2018